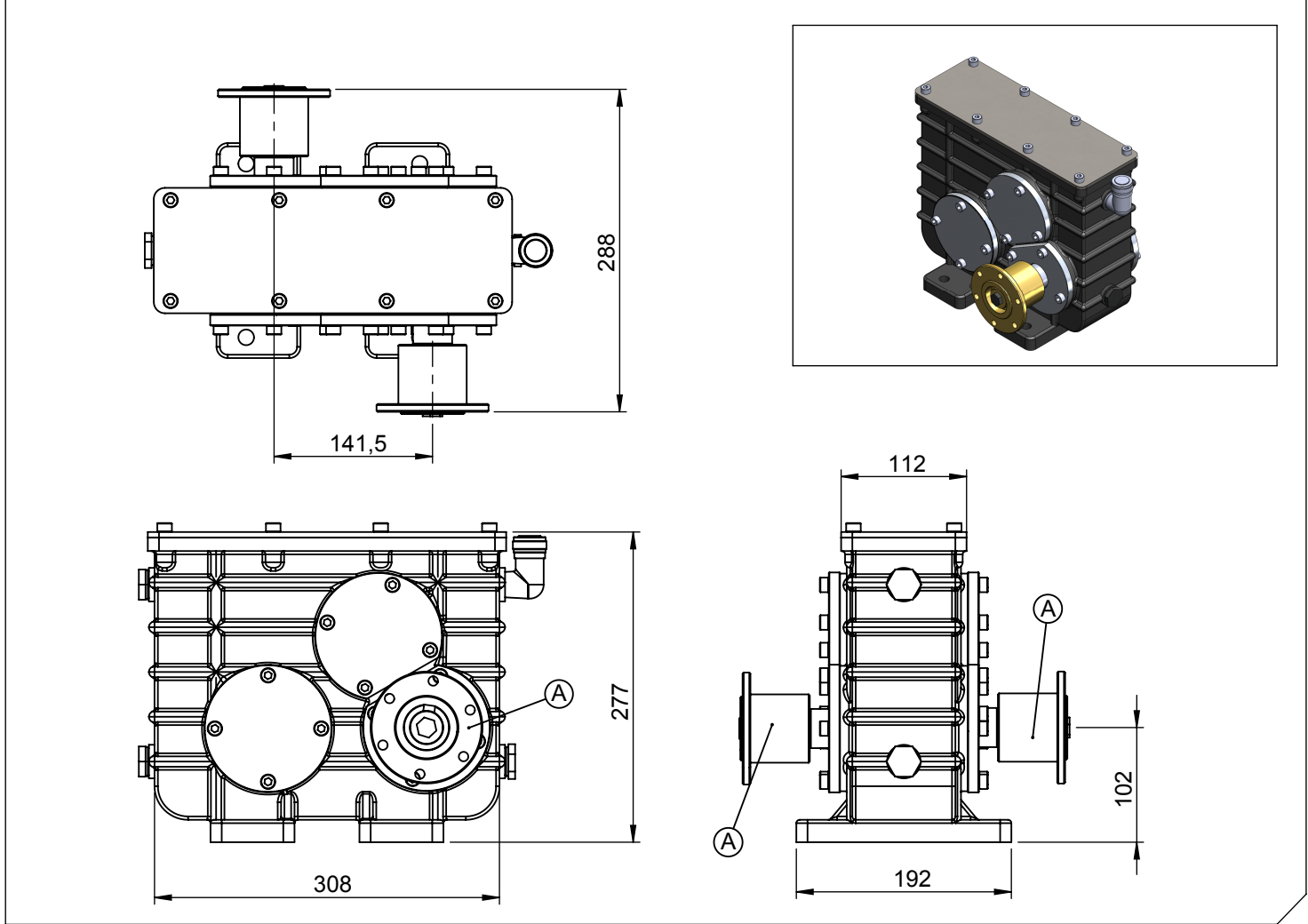


Application Type	Horizontal Usage
Gearbox Type	3 Axis RPM Increaser/Decreaser

Product Code	KRD.03
---------------------	---------------



Products Views



Component Details

A : Reductor Input and Output Flanged (DIN100 6 Bolts)

Technical Details

Max. Power	Max. Torque		Input/Output	Mounting Type	
	kW	Nm			
50	480.5	49	1/1.91	Split Shaft	
				Weight	Sense of Rotation
				42 kg	Same as Input